

**USE:** Figure 1, typical metering installation for overhead service.  
Figure 2, typical metering installation for underground service.  
Figure 3, alternate metering installation for underground service.

**PREVIOUS REVISION**  
10-01-99

**ORIGINATED**  
03-94

**PREVIOUS NUMBER**  
ER 1-151, 02-01-87

**LATEST REVISION:** Updated Durham and Milbank catalog numbers, Figure 1 weatherhead dimension, Figure 3 meter socket wiring, and Figure 3 Notes.

**SPECIFICATION:** Refer to EL 2-890; Grounding - refer to ER 7-500

**FIGURE 1: TYPICAL METERING INSTALLATION FOR OVERHEAD SERVICE.**

**NOTES:**

1. Conductors in entrance run shall extend at least 3 feet beyond upper and outer end of weatherhead so that drip loop can be formed.
2. CATV power supply shall not be installed on transformer, regulator, capacitor pole, or switch pole.
3. CATV power supply cabinet location on pole to be mutually agreed upon by the various utilities involved.

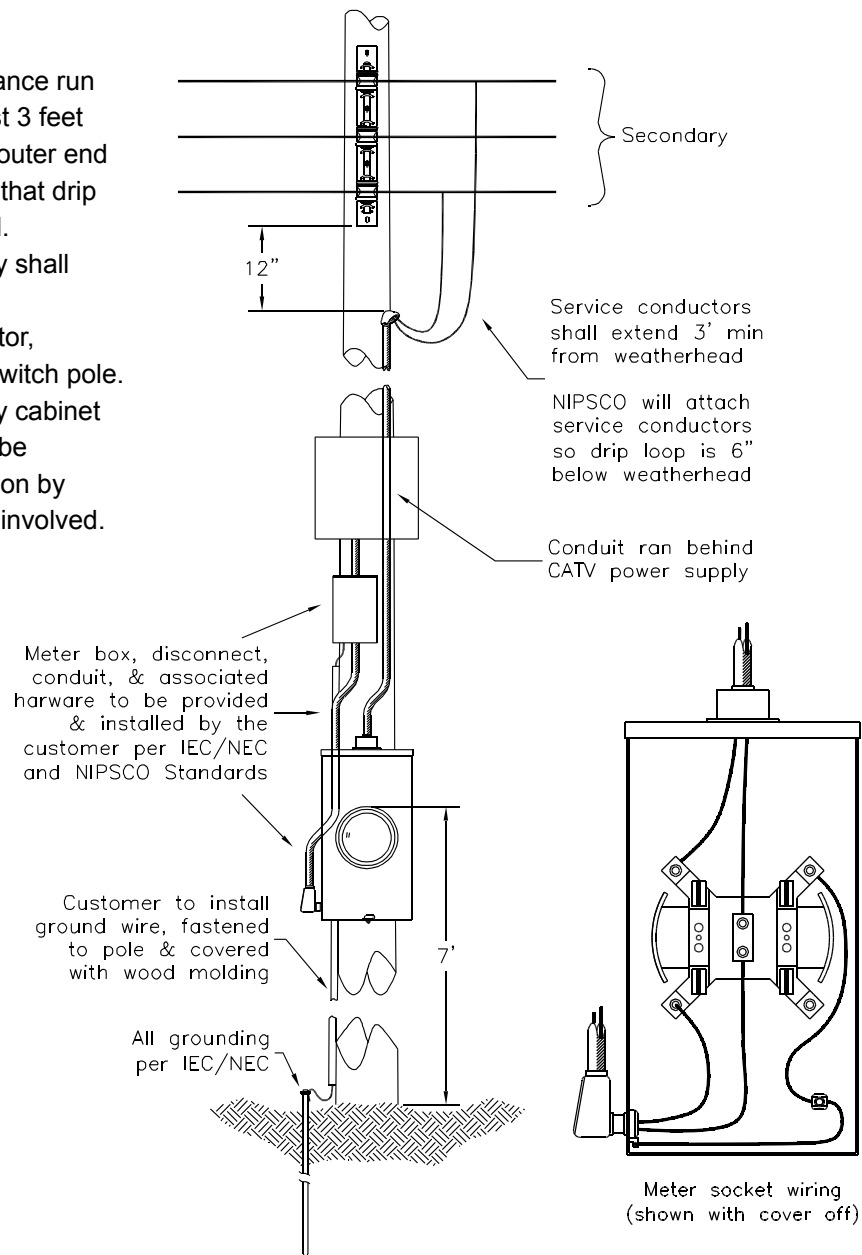
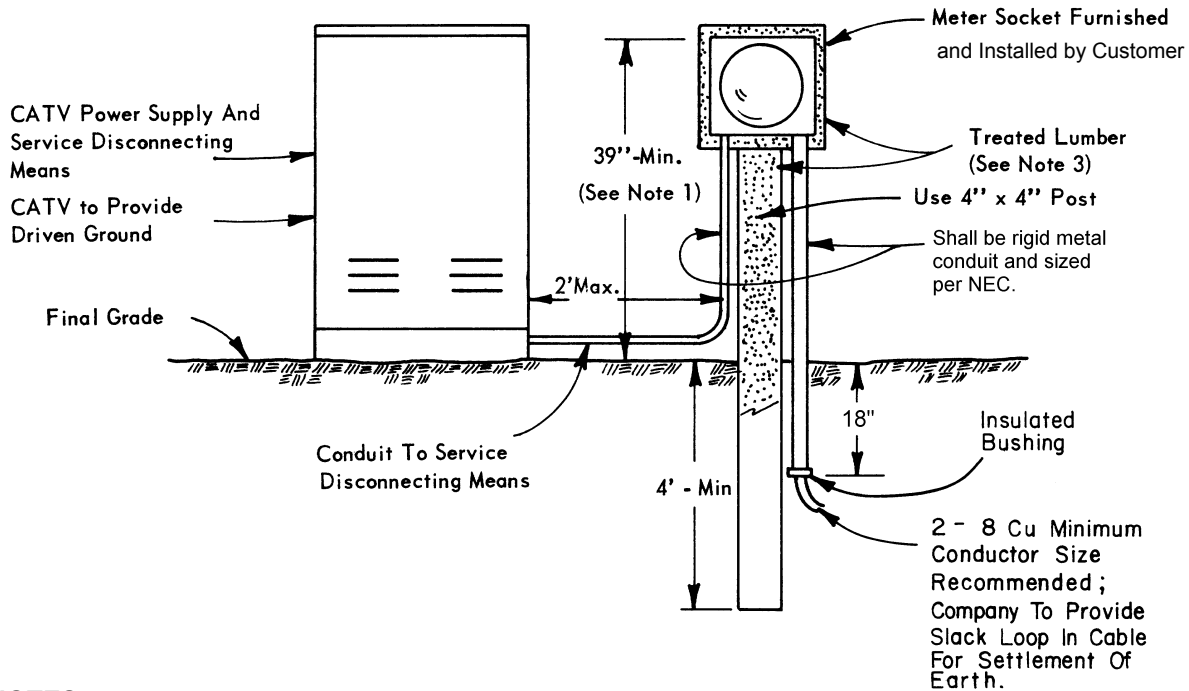
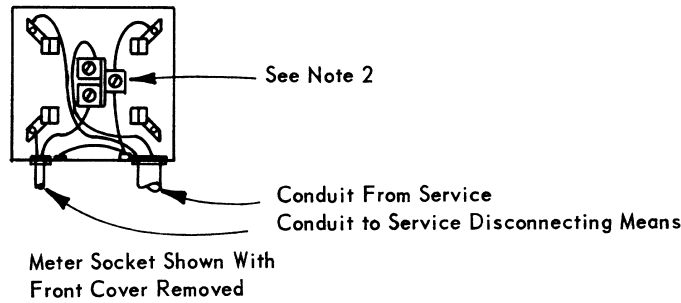


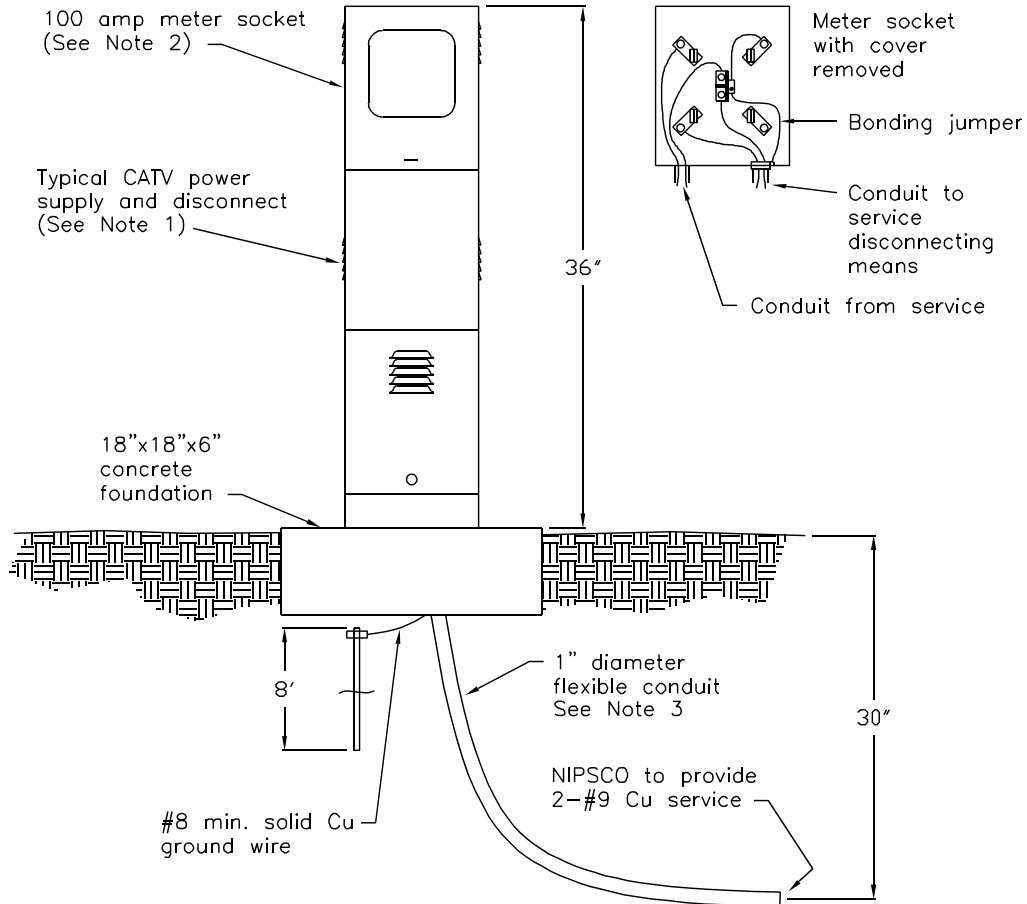
FIGURE 2: TYPICAL METERING INSTALLATION FOR UNDERGROUND SERVICE.



NOTES:

1. Top of meter shall be a minimum of 39" high and should not exceed height of pad mounted transformer (5' high maximum).
2. When bonding jumper is required (as shown), the conductor between the top right jaw and the bonding bushing shall be continuous.
3. Pedestal metering can be used as an option. Refer to ER 19-275. Re-wiring of pedestal for 2 wire metering application will be necessary.

**FIGURE 3: ALTERNATE METERING INSTALLATION FOR UNDERGROUND SERVICE**



**NOTES:**

1. Customer shall provide all material for installation for the CATV power supply and disconnect.
2. Meter socket shall be provided by the CATV company. Meter socket type shall be approved by the Central Electric Meter Facility.

Approved meter sockets:

Durham UT-RS111C

Milbank U7487-RL-TG-KK

Note: If meter sockets are used for underground service, specify meter socket with hub cover plate.

3. Service entrance conduit shall extend below ground to a depth of 30". When pedestal is set, the conduit shall be stubbed out above ground to be visible to NIPSCO line crew. NIPSCO shall install service conductors and terminate them in the meter socket.