

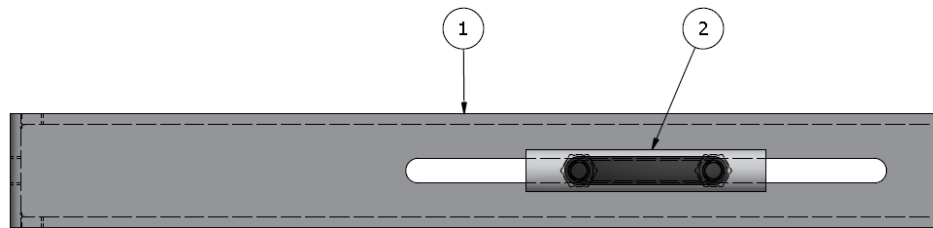
Distribution Operations

Effective Date: 04/01/2017	<b>Bracket - Foundation</b> Service Riser	Standard Number: <b>BRA 0040</b>
Supersedes: 02/07/1994		Page 1 of 2

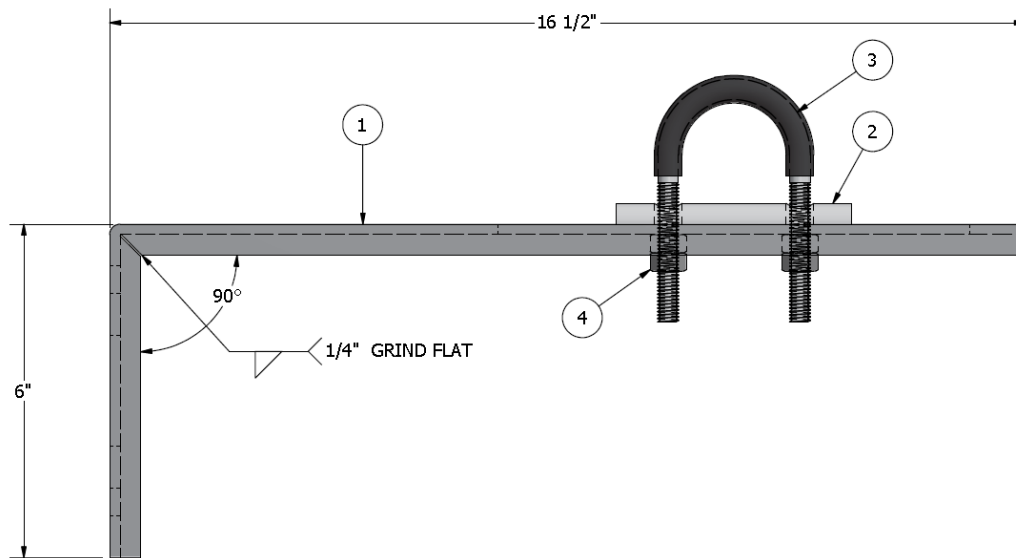
Companies Affected:

<input checked="" type="checkbox"/> NIPSCO	<input type="checkbox"/> CGV	<input type="checkbox"/> CMD
	<input type="checkbox"/> CKY	<input type="checkbox"/> COH
	<input type="checkbox"/> CMA	<input type="checkbox"/> CPA

Use: To provide support for a service riser.



Top View



Side View

Stores Code	220730
-------------	--------

Item	Quantity	Description
1	1	Bracket, Riser, 16 1/2" x 6", for 3/4" and 1-1/4" risers
2	1	Half Round, 3/4" x 4 1/4", Fiberglass Reinforced Pad
3	1	U-bolt, 1-1/2", Steel, Galvanized, with Protective Coating
4	2	Hex Nut, 3/8"-16, Galvanized

*This document is considered CONTROLLED only when viewed electronically on the Company's intranet. Printed or other electronic copies may not be current, and the intranet version should be used to verify.*



***Distribution Operations***

Effective Date: 04/01/2017	<b>Bracket - Foundation</b> Service Riser	Standard Number: <b>BRA 0040</b>
Supersedes: 02/07/1994		Page 2 of 2

**Specifications**

Material: Carbon Steel Channel, 2" x 9/16" x 3/16"

Coating: Primed and Painted, ASA #49 Gray