



**DISTRIBUTED RESOURCE GENERATION**  
 Net Metered / **Excess Distributed Generation**

05-01-22  
**ER 4-200-F**  
 PAGE 1 OF 5

**USE:** Requirements and guidelines for interconnection of customer owned, (DR) Distributed Resource generation source, to NIPSCO’s electric system, configured for “Net Metering” and “Excess Distributed Generation”.

PREVIOUS REVISION	ORIGINATED	PREVIOUS NUMBER
05-01-20	04-05	

**LATEST REVISION:** Updated Title and References to reflect changes with recent Rate and Tariff filings, and added “Excess Distributed Generation” throughout standard.

**REFERENCE:** 170 IAC 4-4.3, IURC Rule for “Net Metering”  
 Electric Service Tariff - Rider 880 and Rider 889, latest revision  
 IEEE 1547, latest revision  
 UL 1741 SA, latest revision  
 NIPSCO Standards ER 13-210, ER 16-600, ER 19-240, ER 19-255 & ER 19-270  
 IEC/NEC (Indiana Electrical Code/National Electrical Code) latest revision  
 MISO Business Practice Manual Generator Interconnection BPM-015-R8, latest revision

**SPECIFICATION:**

**1. ELIGIBILITY:**

Any residential, commercial, or industrial customer in good standing may operate a “Net Metered / **Excess Distributed Generation**” generation source(s), interconnected to NIPSCO’s electric system if the following are met (subject to current summer peak retail load limitation):

- 1.1 The generation source is of a solar, wind, or hydro type.
- 1.2 The total nameplate capacity of the generation source is 1 megawatt (MW) or less (if multiple units are installed, the aggregate total nameplate shall be 1 MW or less).
- 1.3 The generation source is located on the eligible customer’s premises, is operated by said customer, and is interconnected through a single service point.
- 1.4 The generation source is used primarily to offset all or part of the eligible customer’s own electric load.
- 1.5 The customer must submit the “Interconnection Application” to NIPSCO, with proof of insurance coverage to be considered for, and to obtain approval for Net Metering / **Excess Distributed Generation**.
- 1.6 NIPSCO shall perform a feasibility review for the proposed generation source interconnection as an initial screening for the impact it may have to its electric system. The feasibility review will evaluate system readiness for the interconnection and will determine if there is a need for a more extensive study. If an Interconnection Evaluation Study needs to be performed by NIPSCO, any fees associated with this study will be the responsibility of the customer. Additionally if it is found that the proposed generation source requires system infrastructure upgrades to NIPSCO’s electric system, the customer will be required to pay the total cost of the required system improvements. During the feasibility review or Interconnection Evaluation Study, if additional

customer owned equipment is necessary to meet NIPSCO safety and interconnection practices, NIPSCO shall inform the customer at this time.

1.7 Eligible customers shall enter into an "Interconnection Agreement" with NIPSCO and if any upgrades to NIPSCO's electric system are required, the customer must pay for these, in full, before the generation source is allowed to interconnect to NIPSCO's electric system or any work is performed by NIPSCO.

1.8 Any customer that wishes to connect to our electric transmission system (69kV, 138kV, or 345kV) must follow all rules and regulations of MISO (**Midcontinent Independent System Operator**) and abide to NIPSCO's rules and regulations for "Net Metered / **Excess Distributed Generation**".

## **2. GENERAL:**

2.1 All DR generation facility installations shall comply with all applicable codes and standards, including but not limited to those listed in the reference section of this standard.

2.2 If a customer-generator facility is to be connected to a single-phase shared secondary, the aggregate generation nameplate capacity connected to the shared secondary, including the proposed nameplate capacity, shall not exceed the lesser of twenty (20) kVA or the nameplate rating of the service transformer.

2.3 DR generation shall not adversely affect NIPSCO's electric system or any of its customers. Refer to standard ER 16-600 for power quality requirements.

2.4 It shall be the responsibility of the DR generation customer to protect their own equipment and facilities. This protection shall include protection against electrical system over voltages, line frequency disturbances, faults, lightning surges, and any other phenomenon resulting from the interconnection.

2.5 The DR generation customer shall be responsible for costs incurred for any modifications to NIPSCO's electric system, which are required for the DR generation interconnection. (See 1.6 and 1.7)

2.6 The DR generation customer shall be responsible for costs and installation of equipment (which the customer shall own and maintain) that are required to meet NIPSCO safety and interconnection practices. Equipment such as, but not limited to - poles, switches, reclosers, pad switchgear, etc. may be necessary. (See 1.6 and 1.7)

2.7 Generation source shall comply with UL 1741 SA (latest revision).

2.8 Interconnection will not be allowed to NIPSCO's electric system until the installation has been approved by an authorized municipal, county, or other governmental inspector where such inspection procedures are established; and, by a final inspection by a NIPSCO Field Engineer or Representative.



**3. INSTALLATION AND OPERATION:**

- 3.1 The eligible customer shall install, operate, and maintain the generation source in accordance with the manufacturer's suggested practices.
- 3.2 A lockable manual or power operable disconnect switch, or lockable circuit breaker shall be installed between the generation source, and NIPSCO's electric system, and be accessible to NIPSCO personnel at all times. This switch shall be labeled "Utility-Generator Disconnect Switch" (See Figure 1 & 2) on an engraved plaque.
- 3.3 In all cases, an engraved plaque shall be placed next to NIPSCO's electric meter providing the location of the utility-generator disconnect switch and the generation source. Furthermore, all buildings or structures with both a utility service and a generation source shall have a permanent engraved plaque or directory providing the location of the utility-generator disconnect switch and the generation source.
- 3.4 NIPSCO may isolate the eligible customer's generation source at any time if it is believed that continued operation of the generation source will create or contribute to a system emergency. A system emergency is defined as any condition on the electric system likely to result in any of the following:
  - 3.4.1 A significant disruption of service to any NIPSCO customer.
  - 3.4.2 A substantial deviation from NIPSCO's normal service standard.
  - 3.4.3 An endangerment to life or property.
- 3.5 NIPSCO may perform on-site inspections to verify the proper installation and continued safe operation of the generation source, interconnection equipment, and net metering facilities. Inspections shall be done at reasonable times, and with reasonable advance notice to the eligible customer.
- 3.6 Figures 1 & 2 show typical residential solar and wind installations of 320 amps or less. Larger installations for solar and wind, as well as installations for biomass or hydro are generally more complex and are not shown. These larger installations will require additional review from the appropriate NIPSCO Engineering department.

**4. METERING:**

- 4.1 Metering of the "Net Metered / **Excess Distributed Generation**" generation source shall be through an appropriate watt-hour meter. The watt-hour meter shall measure kWh used by the eligible customer, and shall measure the excess kWh exported by the customer to NIPSCO's electric system. (See Figure 1 & 2)
- 4.2 NIPSCO will provide the watt-hour meter, and the eligible customer shall provide the meter socket (where required), as well as provide for the proper installation of all service entrance equipment required for a Net Metered / **Excess Distributed Generation** interconnection. (NIPSCO Engineers will inform the customer if the customer is to provide the meter socket; or, if NIPSCO will provide the meter socket. The Engineer will also provide the customer any applicable NIPSCO Standards as needed.)

# DISTRIBUTED RESOURCE GENERATION

Net Metered / Excess Distributed Generation

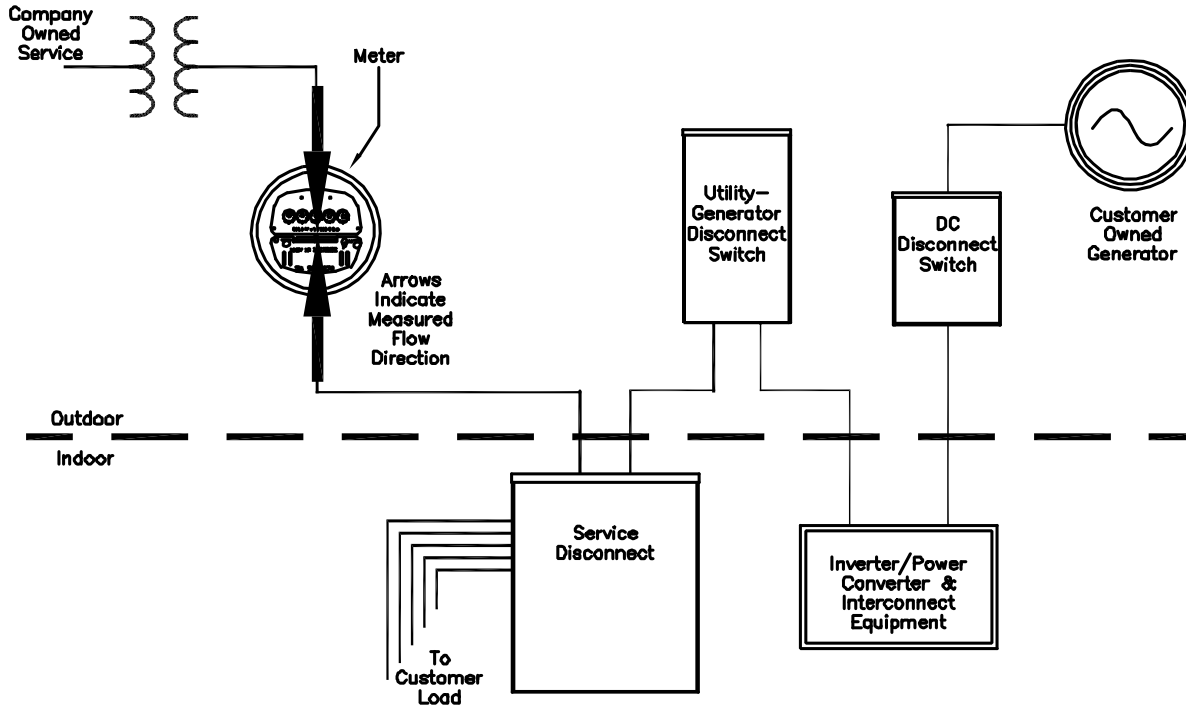
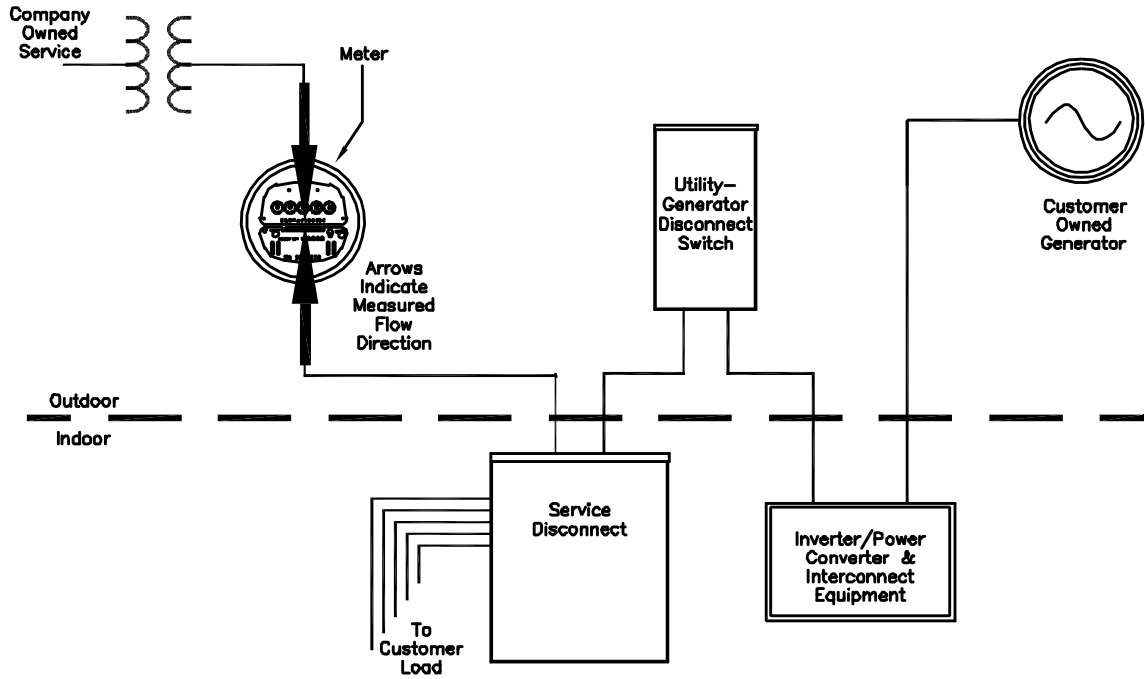


Figure 1 - Typical Residential Solar Installation



**Figure 2 - Typical Residential Wind Installation**